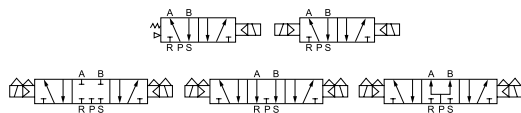


## 5通先导型电磁阀 5-Port Pilot Operated Solenoid Valve Series 4V100



4V110-06

### 规格 Specifications

型号 Model	4V110-M5 4V120-M5	4V130C-M5 4V130E-M5 4V130P-M5	4V110-06 4V120-06	4V130C-06 4V130E-06 4V130P-06
使用流体 Fluid	过滤压缩空气 Filtered compressed air			
接管口径 Port size	M5		Rc(PT) 1/8	
有效截面积 Effective sectional area (mm <sup>2</sup> )	10.0 (Cv=0.56)	7.0 (Cv=0.40)	12.0 (Cv=0.67)	9.0 (Cv=0.50)
使用压力范围 Operating pressure range	0.15~0.8 MPa			
保证耐压力 Proof pressure	1.2 MPa			
环境及流体温度 Ambient and fluid temperature	-5~50°C			
响应时间 Response time (0.5 MPa)	≤ 50 ms			
*1) 最大工作频率 Maximum working frequency	5 c/sec	3 c/sec	5 c/sec	3 c/sec
*2) 润滑 Lubrication	不需要 Not required			
额定电压 Rated voltage	AC24V, AC110V, AC220V (50/60 Hz), DC12V, DC24V			
容许电压波动范围 Permissible voltage variation	±10% 额定电压 ±10% of rated voltage			
线圈绝缘等级 Coil insulation class	F 或同等等级 Class F or equivalent			
防护等级 Protection Class	IP65 (DIN40050)			
功率消耗 Power consumption	AC	持续 Holding 2.5 VA (50/60 Hz)		
	DC	2.5 W		

\*1) 最大工作频率为空载状态。The maximum working frequency is on no load situation.

\*2) 如需润滑请使用透平 1 号油 ISO VG32#。Please use 1st Grade Turbine Oil ISO VG32# if necessary.

### 型号表示方法 How to Order

4V 1 **10** - **06** - **AC220V** - **□**

结构 Configuration

10	单线圈 Single
20	双线圈 Double
30C	3 位 / 中央封闭 3-position/ closed center
30E	3 位 / 中央排气 3-position/ exhaust center
30P	3 位 / 中央加压 3-position/ pressure center

接管口径  
Port size

M5	M5
06	Rc(PT)1/8

额定电压  
Rated voltage

AC220V
AC110V
AC24V
DC24V
DC12V

接电方式  
Electrical entry

-	DIN 插座 DIN connector
LD	DIN 插座带指示灯 DIN connector with LED
W	直接出线 Grommet with flying leads

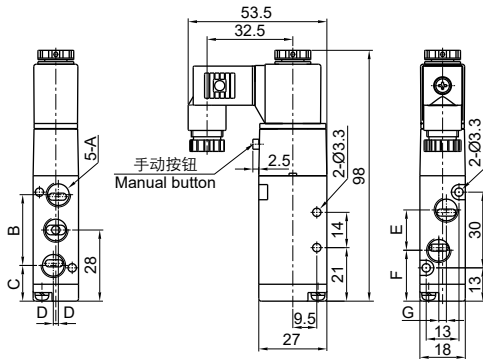
# 5通先导型电磁阀

## 5-Port Pilot Operated Solenoid Valve

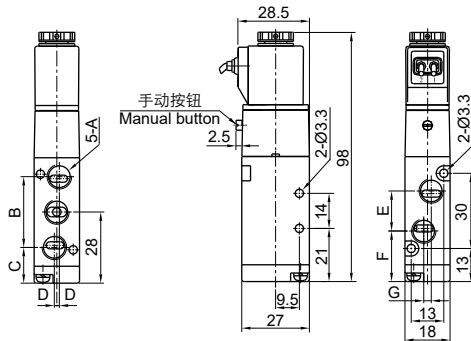
### Series 4V100

外形尺寸图 Dimensions (mm)

4V110-(LD)

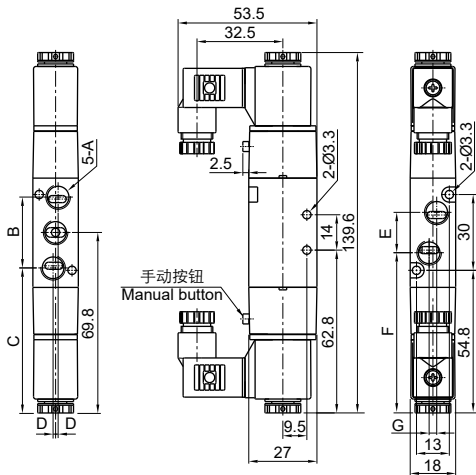


4V110-W

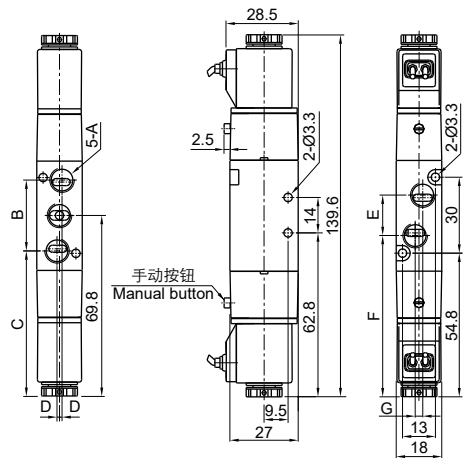


型号 Model	4V110-M5	4V110-06
A	M5x0.8	Rc(PT)1/8
B	27	28
C	14.5	14
D	0	1
E	14	16
F	21	20
G	0	3

4V120-(LD)

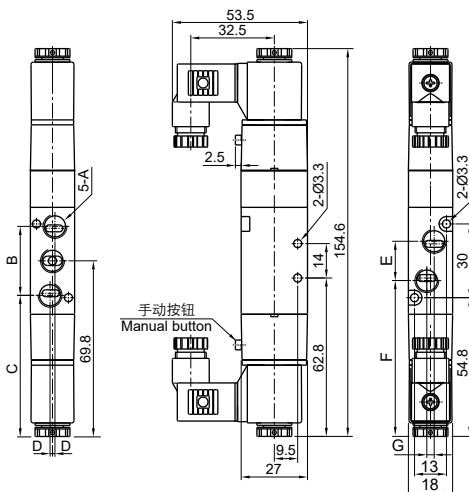


4V120-W

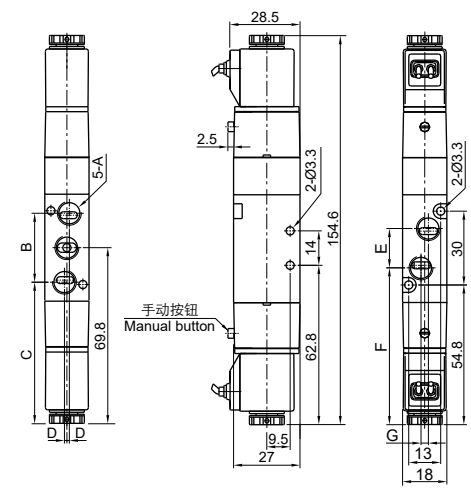


型号 Model	4V120-M5	4V120-06
A	M5x0.8	Rc(PT)1/8
B	27	28
C	56.3	56
D	0	1
E	14	16
F	62.8	62
G	0	3

4V130-(LD)



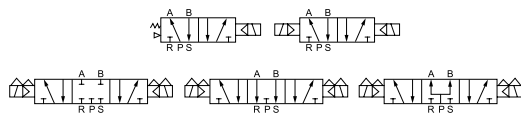
4V130-W



型号 Model	4V130-M5	4V130-06
A	M5x0.8	Rc(PT)1/8
B	27	28
C	56.3	56
D	0	1
E	14	16
F	62.8	62
G	0	3

# ARK

## 5通先导型电磁阀 5-Port Pilot Operated Solenoid Valve Series 4V200



### 规格 Specifications



4V210-08

型号 Model	4V210-06 4V220-06	4V230C-06 4V230E-06 4V230P-06	4V210-08 4V220-08	4V230C-08 4V230E-08 4V230P-08
使用流体 Fluid	过滤压缩空气 Filtered compressed air			
接管口径 Port size Rc(PT)	1/8		进气 = 出气 Inlet=Outlet: 1/4 排气 Exhaust: 1/8	
有效截面积 Effective sectional area (mm <sup>2</sup> )	14.0 (Cv=0.78)	12.0 (Cv=0.67)	16.0 (Cv=0.89)	12.0 (Cv=0.67)
使用压力范围 Operating pressure range	0.15~0.8 MPa			
保证耐压力 Proof pressure	1.2 MPa			
环境及流体温度 Ambient and fluid temperature	-5~50°C			
响应时间 Response time (0.5 MPa)	≤ 50 ms			
*1) 最大工作频率 Maximum working frequency	5 c/sec	3 c/sec	5 c/sec	3 c/sec
*2) 润滑 Lubrication	不需要 Not required			
额定电压 Rated voltage	AC24V, AC110V, AC220V (50/60 Hz), DC12V, DC24V			
容许电压波动范围 Permissible voltage variation	±10% 额定电压 ±10% of rated voltage			
线圈绝缘等级 Coil insulation class	F 或同等级 Class F or equivalent			
防护等级 Protection Class	IP65 (DIN40050)			
功率消耗 Power consumption	AC	持续 Holding 5.5 VA (50/60 Hz)		
	DC	4.8 W		

\*1) 最大工作频率为空载状态。The maximum working frequency is on no load situation.

2) 如需润滑请使用透平 1 号油 ISO VG32#。Please use 1st Grade Turbine Oil ISO VG32# if necessary.

### 型号表示方法 How to Order

4V 2 **10** - **08** - **AC220V** - **□**

结构 Configuration

10	单线圈 Single
20	双线圈 Double
30C	3 位 / 中央封闭 3-position/ closed center
30E	3 位 / 中央排气 3-position/ exhaust center
30P	3 位 / 中央加压 3-position/ pressure center

接管口径  
Port size

06	Rc(PT)1/8
08	Rc(PT)1/4

额定电压  
Rated voltage

AC220V
AC110V
AC24V
DC24V
DC12V

接电方式  
Electrical entry

-	DIN 插座 DIN connector
LD	DIN 插座带指示灯 DIN connector with LED
W	直接出线 Grommet with flying leads

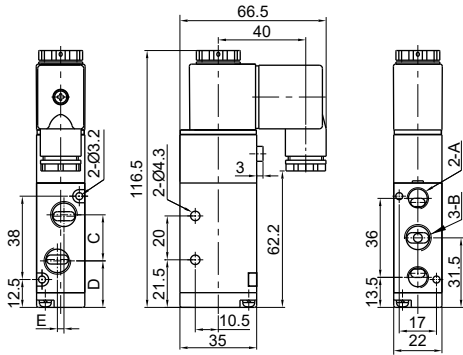
# 5通先导型电磁阀

## 5-Port Pilot Operated Solenoid Valve

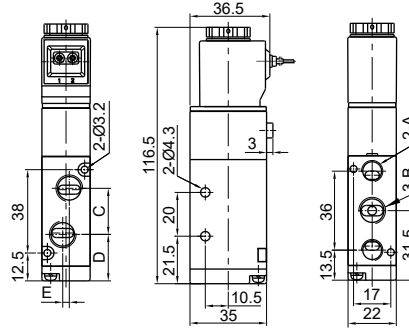
### Series 4V200

外形尺寸图 Dimensions (mm)

4V210-(LD)

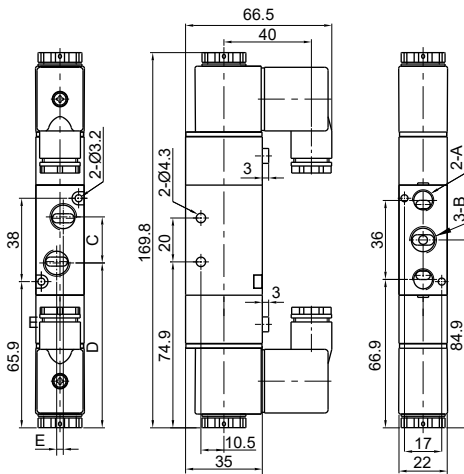


4V210-W

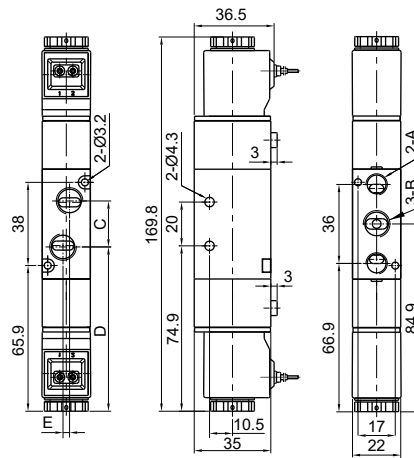


型号 Model	4V210-06	4V210-08
A	Rc(PT)1/8	Rc(PT)1/8
B	Rc(PT)1/8	Rc(PT)1/4
C	18	21
D	22.5	21
E	0	3

4V220-(LD)

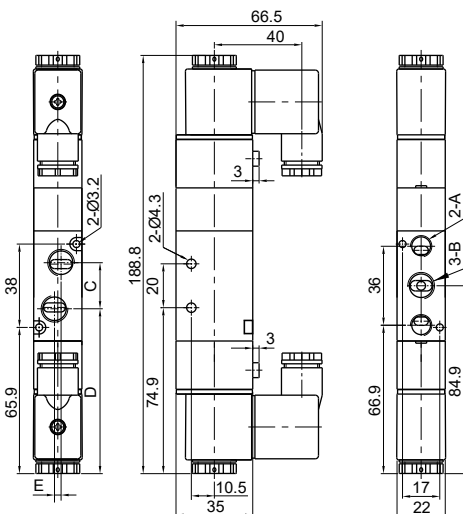


4V220-W

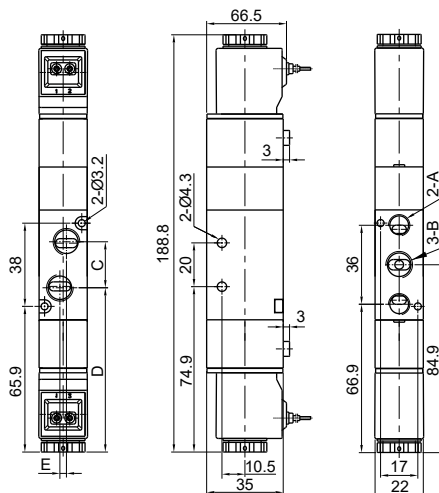


型号 Model	4V220-06	4V220-08
A	Rc(PT)1/8	Rc(PT)1/8
B	Rc(PT)1/8	Rc(PT)1/4
C	18	21
D	75.9	74.4
E	0	3

4V230-(LD)

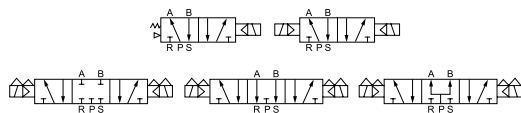


4V230-W



型号 Model	4V230-06	4V230-08
A	Rc(PT)1/8	Rc(PT)1/8
B	Rc(PT)1/8	Rc(PT)1/4
C	18	21
D	75.9	74.4
E	0	3

## 5通先导型电磁阀 5-Port Pilot Operated Solenoid Valve Series 4V300



### 规格 Specifications



4V310-10-DC24V

型号 Model	4V310-08 4V320-08	4V330C-08 4V330E-08 4V330P-08	4V310-10 4V320-10	4V330C-10 4V330E-10 4V330P-10
使用流体 Fluid	过滤压缩空气 Filtered compressed air			
接管口径 Port size Rc(PT)	1/4		进气 = 出气 Inlet=Outlet: 3/8 排气 Exhaust: 1/4	
有效截面积 Effective sectional area (mm <sup>2</sup> )	25.0 (Cv=1.4)	18.0 (Cv=1.0)	30.0 (Cv=1.68)	18.0 (Cv=1.0)
使用压力范围 Operating pressure range	0.15~0.8 MPa			
保证耐压力 Proof pressure	1.2 MPa			
环境及流体温度 Ambient and fluid temperature	-5~50°C			
响应时间 Response time (0.5 MPa)	≤ 50 ms			
*1) 最大工作频率 Maximum working frequency	4 c/sec	3 c/sec	4 c/sec	3 c/sec
*2) 润滑 Lubrication	不需要 Not required			
额定电压 Rated voltage	AC24V, AC110V, AC220V (50/60 Hz), DC12V, DC24V			
容许电压波动范围 Permissible voltage variation	±10% 额定电压 ±10% of rated voltage			
线圈绝缘等级 Coil insulation class	F 或同等级 Class F or equivalent			
防护等级 Protection Class	IP65 (DIN40050)			
功率消耗 Power consumption	AC	持续 Holding 5.5 VA (50/60 Hz)		
	DC	4.8 W		

\*1) 最大工作频率为空载状态。The maximum working frequency is on no load situation.  
\*2) 如需润滑请使用透平 1 号油 ISO VG32#。Please use 1st Grade Turbine Oil ISO VG32# if necessary.

### 型号表示方法 How to Order

4V 3 **10** - **10** - AC220V -

结构 Configuration

10	单线圈 Single
20	双线圈 Double
30C	3 位 / 中央封闭 3-position/ closed center
30E	3 位 / 中央排气 3-position/ exhaust center
30P	3 位 / 中央加压 3-position/ pressure center

接管口径  
Port size

08	Rc(PT)1/4
10	Rc(PT)3/8

额定电压  
Rated voltage

AC220V
AC110V
AC24V
DC24V
DC12V

接电方式  
Electrical entry

-	DIN 插座 DIN connector
LD	DIN 插座带指示灯 DIN connector with LED
W	直接出线 Grommet with flying leads

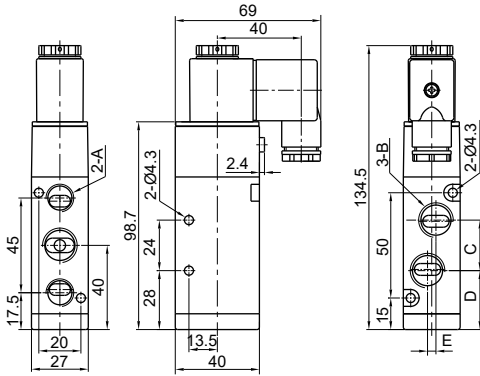
# 5通先导型电磁阀

## 5-Port Pilot Operated Solenoid Valve

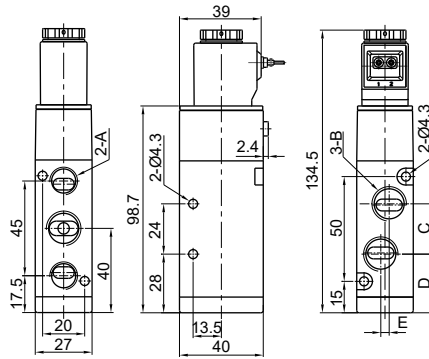
### Series 4V300

外形尺寸图 Dimensions (mm)

4V310-(LD)

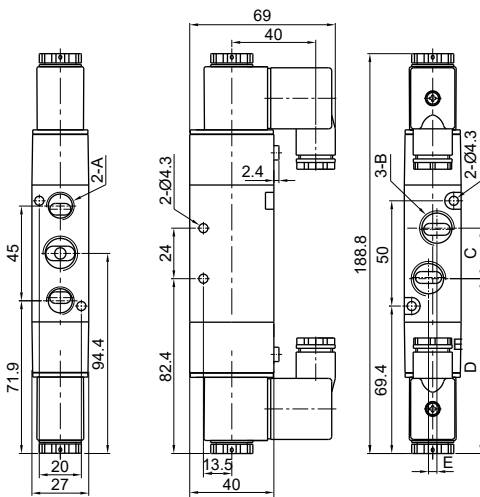


4V310-W

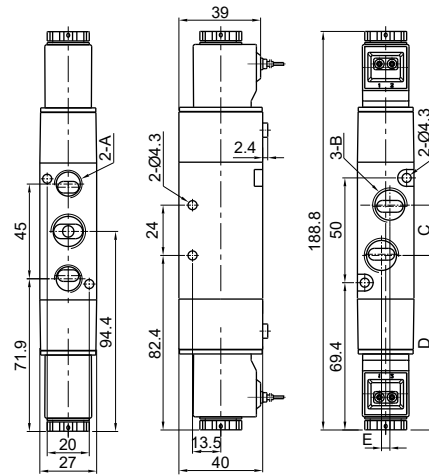


型号 Model	4V310-08	4V310-10
A	Rc(PT)1/4	Rc(PT)1/4
B	Rc(PT)1/4	Rc(PT)3/8
C	22	24
D	29	28
E	0	4

4V320-(LD)

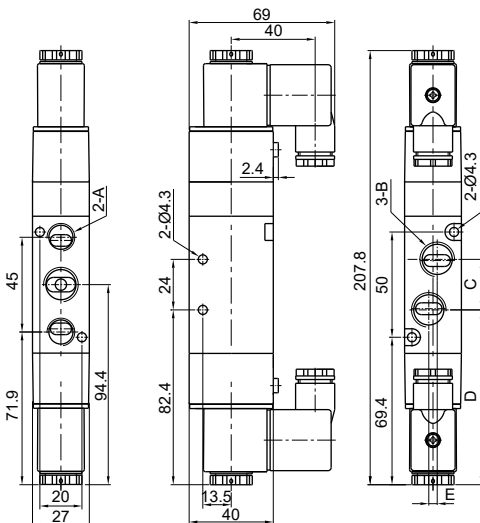


4V320-W

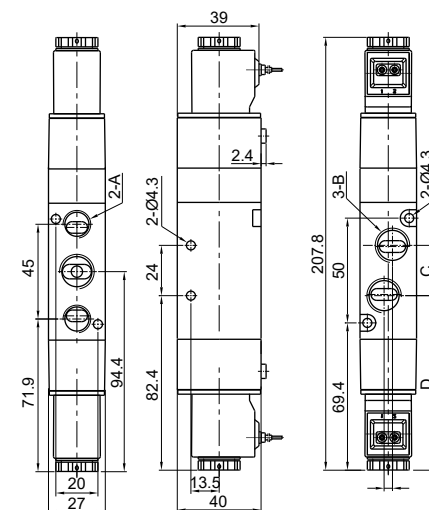


型号 Model	4V320-08	4V320-10
A	Rc(PT)1/4	Rc(PT)1/4
B	Rc(PT)1/4	Rc(PT)3/8
C	22	24
D	83.4	82.4
E	0	4

4V330-(LD)



4V330-W

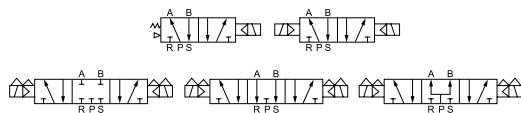


型号 Model	4V330-08	4V330-10
A	Rc(PT)1/4	Rc(PT)1/4
B	Rc(PT)1/4	Rc(PT)3/8
C	22	24
D	83.4	82.4
E	0	4

2

# ARK

## 5通先导型电磁阀 5-Port Pilot Operated Solenoid Valve Series 4V400



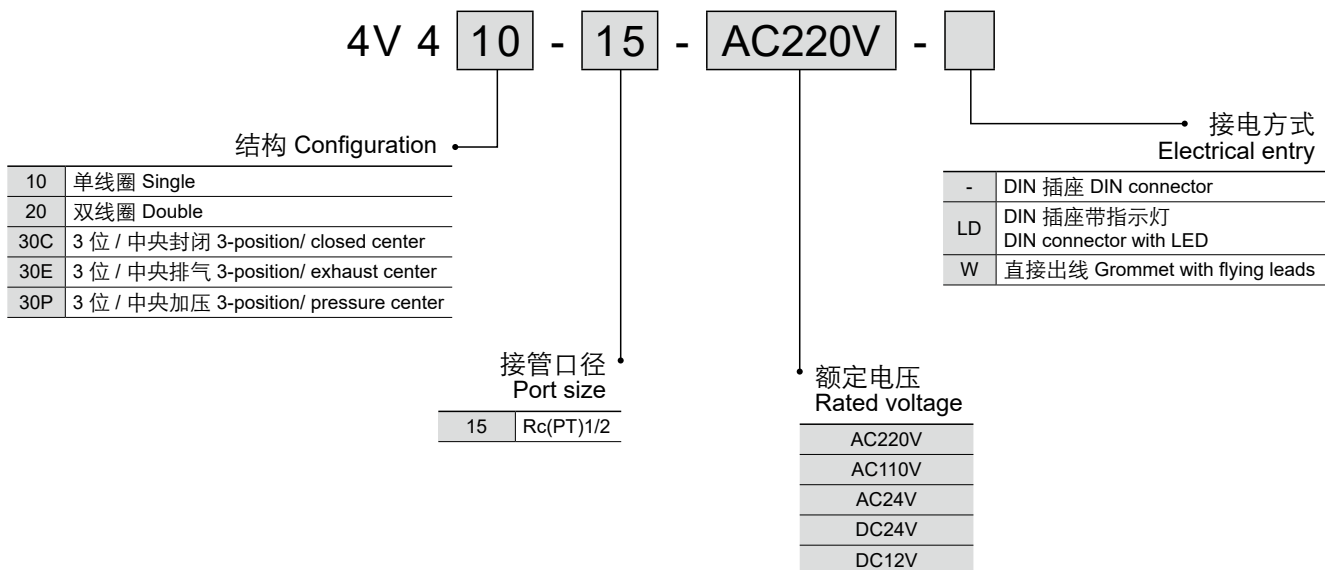
4V410-15-DC24V

### 规格 Specifications

型号 Model	4V410-15 4V420-15	4V430C-15 4V430E-15 4V430P-15
使用流体 Fluid	过滤压缩空气 Filtered compressed air	
接管口径 Port size Rc(PT)	1/2	
有效截面积 Effective sectional area (mm <sup>2</sup> )	50.0 (Cv=2.79)	30.0 (Cv=1.68)
使用压力范围 Operating pressure range	0.15~0.8 MPa	
保证耐压力 Proof pressure	1.2 MPa	
环境及流体温度 Ambient and fluid temperature	-5~50°C	
响应时间 Response time (0.5 MPa)	≤ 50 ms	
*1) 最大工作频率 Maximum working frequency	3 c/sec	
*2) 润滑 Lubrication	不需要 Not required	
额定电压 Rated voltage	AC24V, AC110V, AC220V (50/60 Hz), DC12V, DC24V	
容许电压波动范围 Permissible voltage variation	±10% 额定电压 ±10% of rated voltage	
线圈绝缘等级 Coil insulation class	F 或同等级 Class F or equivalent	
防护等级 Protection Class	IP65 (DIN40050)	
功率消耗 Power consumption	AC	持续 Holding 5.5 VA (50/60 Hz)
	DC	4.8 W

\*1) 最大工作频率为空载状态。The maximum working frequency is on no load situation.  
\*2) 如需润滑请使用透平 1 号油 ISO VG32#。Please use 1st Grade Turbine Oil ISO VG32# if necessary.

### 型号表示方法 How to Order



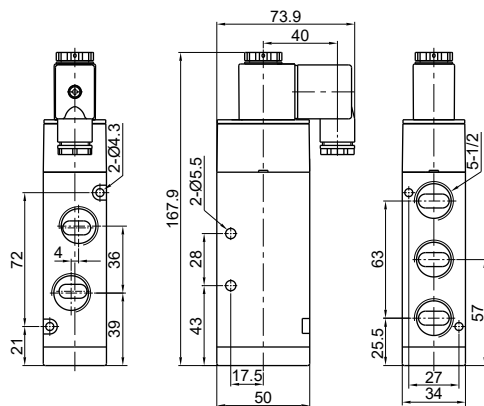
# 5通先导型电磁阀

## 5-Port Pilot Operated Solenoid Valve

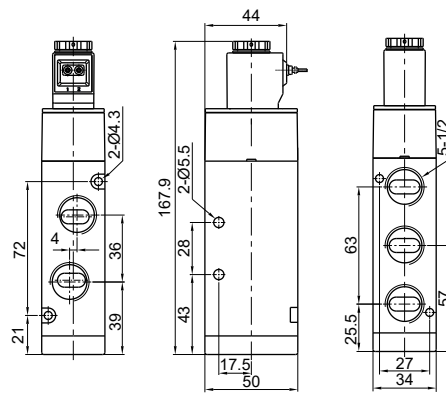
### Series 4V400

外形尺寸图 Dimensions (mm)

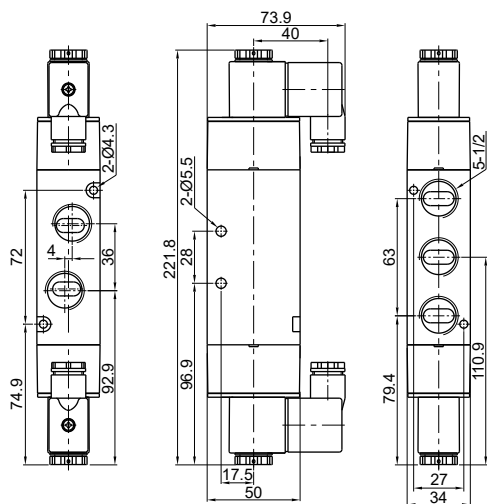
4V410-(LD)



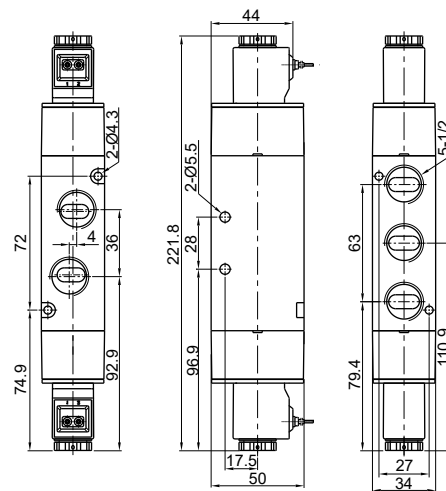
4V410-W



4V420-(LD)  
4V430-(LD)



4V420-W  
4V430-W



2

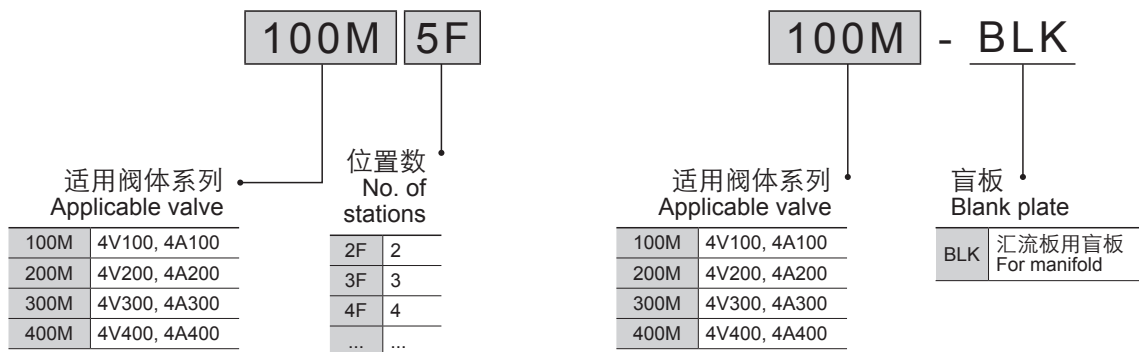


# 汇流板 Manifold

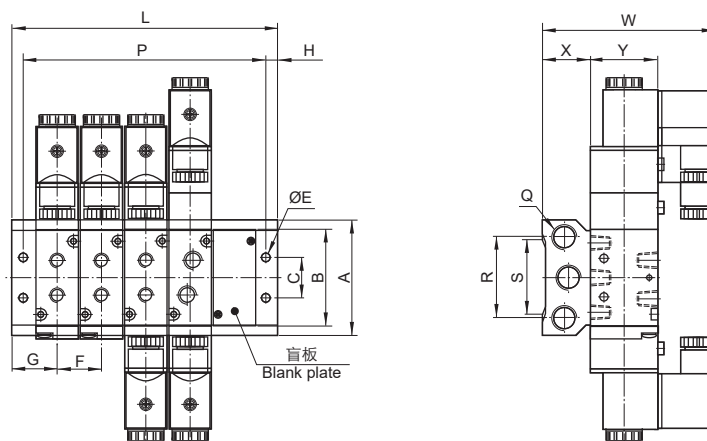
## 规格 Specifications

型号 Model	100M	200M	300M	400M
使用流体 Fluid	过滤压缩空气 Filtered compressed air			
环境及流体温度 Ambient and fluid temperature	-5~50°C			
使用压力范围 Operating pressure range	0.15~0.8 MPa			
位置数 No. of stations	1~16	1~16	1~12	1~8
适用阀系列	4V100, 4A100	4V200, 4A200	4V300, 4A300	4V400, 4A400

## 型号表示方法 How to Order



## 外形尺寸图 Dimensions (mm)



型号 Model	A	B	C	E	F	G	H	L															
								1F	2F	3F	4F	5F	6F	7F	8F	9F	10F	11F	12F	13F	14F	15F	16F
100M	58	43.2	20	4.5	19	19	5	38	57	76	95	114	133	152	171	190	209	228	247	266	285	304	323
200M	61	50.7	21	4.5	23	23	6	46	69	92	115	138	161	184	207	230	253	276	299	322	345	368	391
300M	75	64.8	26	4.5	28	27	6	54	82	110	138	166	194	222	250	278	306	334	362	-	-	-	-
400M	104	94.5	32	5.5	35	31.5	7	63	98	133	168	203	238	273	308	-	-	-	-	-	-	-	-

型号 Model	P																Q	R	S	W	X	Y
	1F	2F	3F	4F	5F	6F	7F	8F	9F	10F	11F	12F	13F	14F	15F	16F						
100M	28	47	66	85	104	123	142	161	180	199	218	237	256	275	294	313	1/4	40	30	79	25	27
200M	34	57	80	103	126	149	172	195	218	241	264	287	310	333	356	379	1/4	43	32	93	26	35
300M	42	70	98	126	154	182	210	238	266	294	322	350	-	-	-	-	3/8	53	48	99.5	30	40
400M	49	84	119	154	189	224	259	294	-	-	-	-	-	-	-	-	1/2	68	67	112.5	38	50